

THIS DRAWING IS UNPUBLISHED.

RELEASED FOR PUBLICATION

ALL INTERNATIONAL RIGHTS RESERVED.

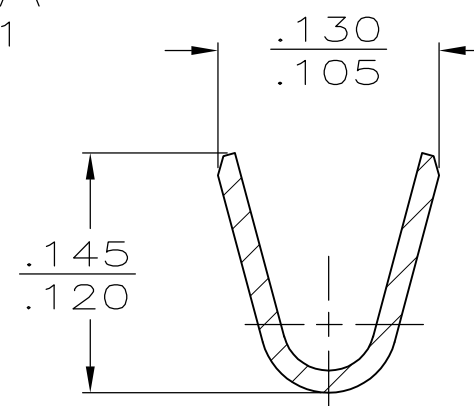
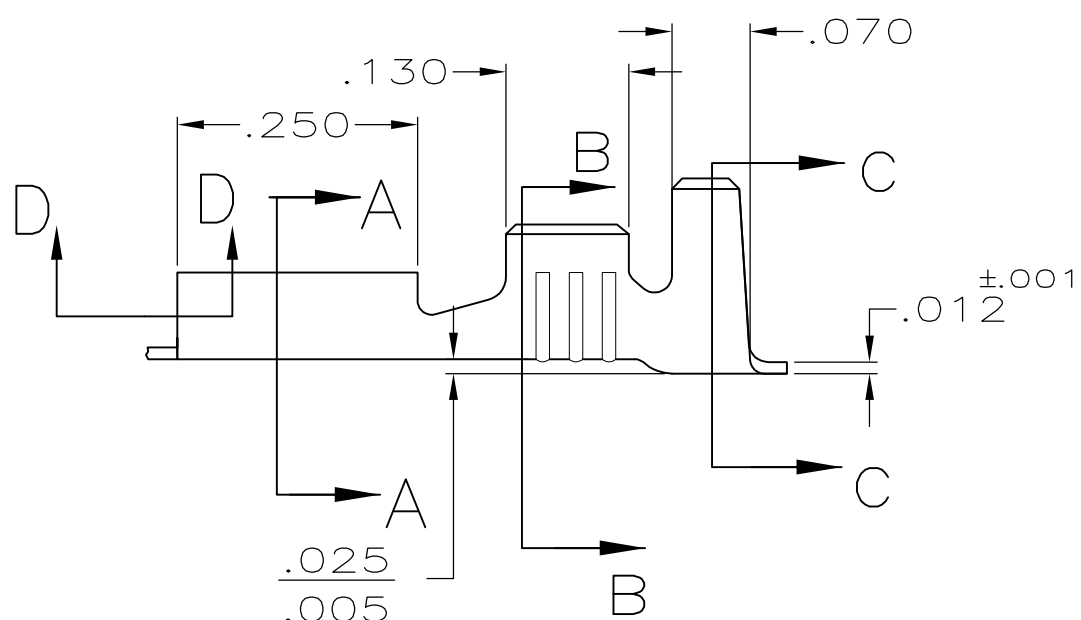
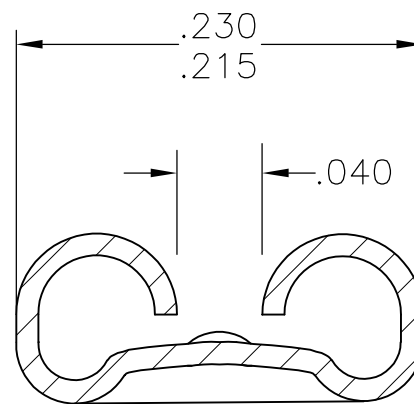
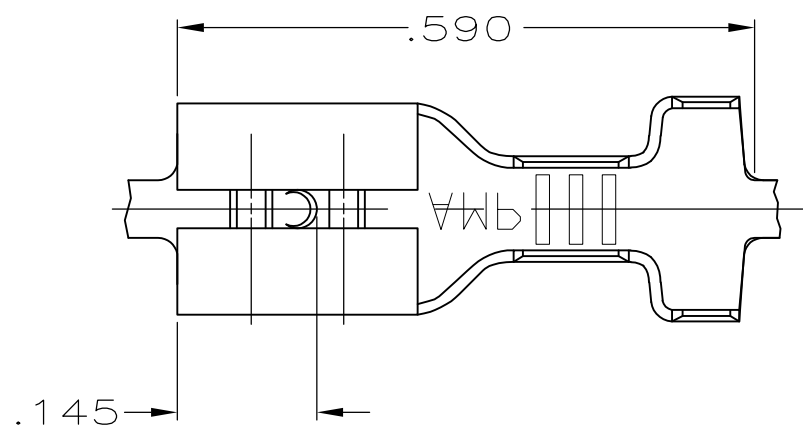
© COPYRIGHT BY TYCO ELECTRONICS CORPORATION.

LOC AF DIST 50

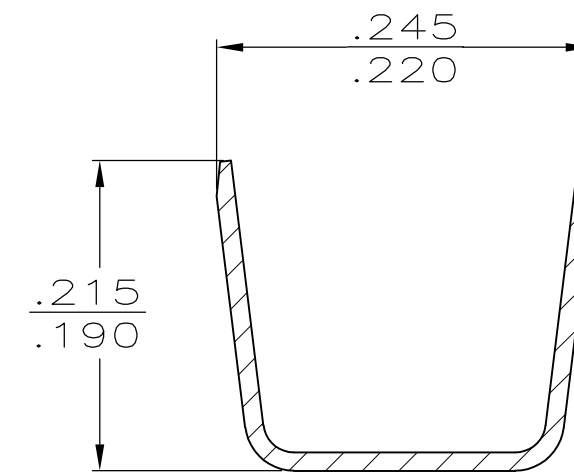
REVISIONS

P	LTR	DESCRIPTION	DATE	DWN	APVD
	M1	REVISED PER ECR-08-025628	14OCT08	HMR	PD

- CONTINUOUS STRIP ON REELS
- WIRE SIZE IS #18-#16 OR TWO #18'S.
- INSULATION RANGE IS .105-.210 OR TWO AT .105 MAX.
- MATING TAB THK IS .032±.001.



SECTION B-B SCALE 8:1



SECTION C-C SCALE 8:1

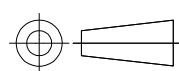
SWAGE ON 61945-1 ONLY

SECTION D-D

TYPE	WIDTH	STRIP LENGTH ±.015	TYPE	WIDTH	±.002 HEIGHT	WIRE
F	.210	.188	F	.100	.055	16
					.049	18
INSUL BARREL CRIMP	WIRE BARREL CRIMP					

THIS DRAWING IS A CONTROLLED DOCUMENT.

DIMENSIONS: INCHES



TOLERANCES UNLESS OTHERWISE SPECIFIED:

0 PLC	± -
1 PLC	± -
2 PLC	± -
3 PLC	± .015
4 PLC	± -
ANGLES	± -

MATERIAL SEE TABLE

FINISH SEE TABLE

DWN	JR RUTH	8/21/91
CHK	MS FEHER	8/21/91
APVD	C MEYERS	8/21/91
PRODUCT SPEC	-	
APPLICATION SPEC	-	
WEIGHT	-	
CUSTOMER DRAWING		

Tyco Electronics Corporation Harrisburg, PA 17105-3608		RECEPTACLE, FASTON, .187 SERIES	
SIZE	CAGE CODE	DRAWING NO	RESTRICTED TO
A3	00779	C-61945	-
SCALE 5:1		SHEET 1 OF 1	REV M1